

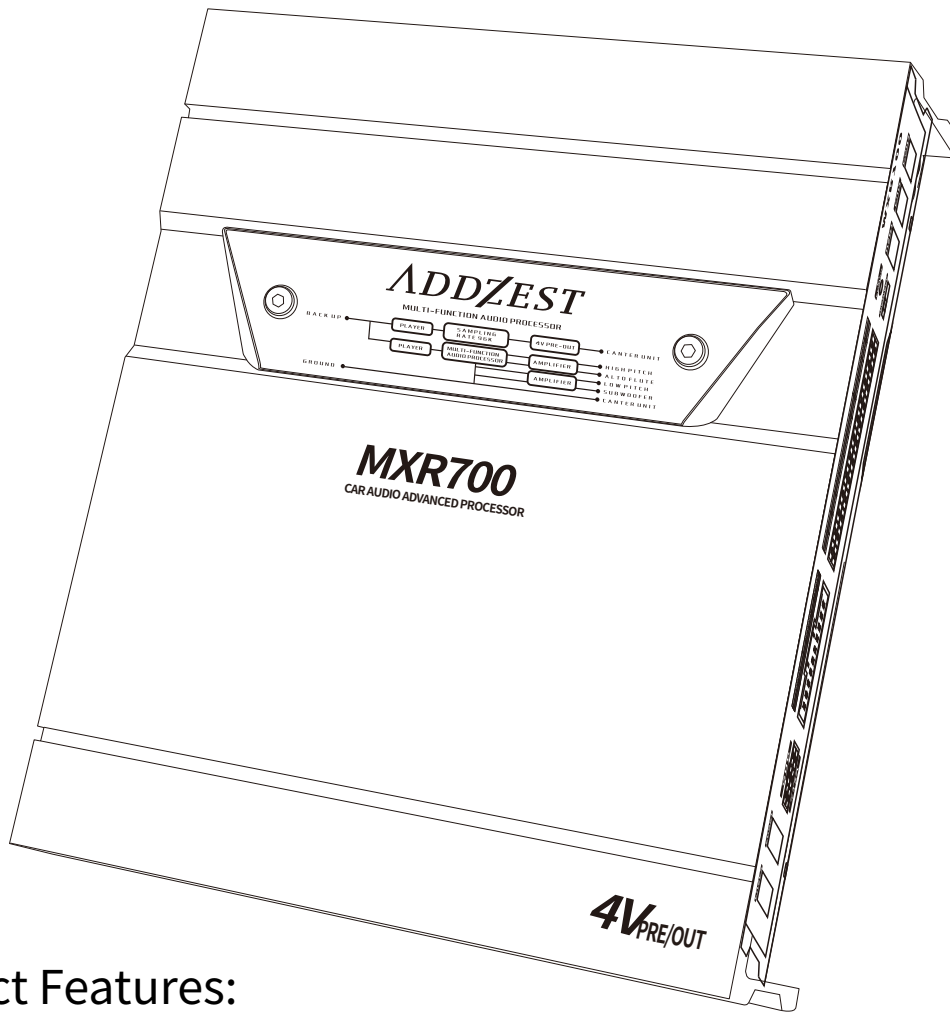
# *ADDZEST*

## ***MXR700***

---

OWNER'S MANUAL  
取扱説明書

Thank you for choosing ADDZEST for your mobile audio products. Your satisfaction is very important to us.  
 If you have any questions or comments, you are welcome to call, and the representative of ADDZEST is very happy to help you.  
 あなたの車のモバイルオーディオ製品にADDZESTを選んでくれてありがとう、あなたの満足は私たちにとって非常に重要です。  
 ご不明な点やご意見がございましたら、ADDZESTの担当者が喜んでお手伝いいたします。



## Product Features:

### 製品の特徴:

- ・Digital signal and analog signal mixing (real-time compatible with the radar prompt tone of the original vehicle);  
 ・デジタル信号とアナログ信号混合 (リアルタイムの車両のレーダーブロンプトーンと互換性を持つ);
- ・High level input digital resistance detection (real-time compatible with the original car audio)  
 ・ハイレベル入力デジタル抵抗検出 (リアルタイムと原車音響互換)
- ・The power amplifier, DSP processor and lossless music player are integrated into the product.  
 ・電源放電器、DSPプロセッサ、非破壊的な音楽プレーヤーを一体とした製品。

## Product parameters:

### 製品パラメータ:

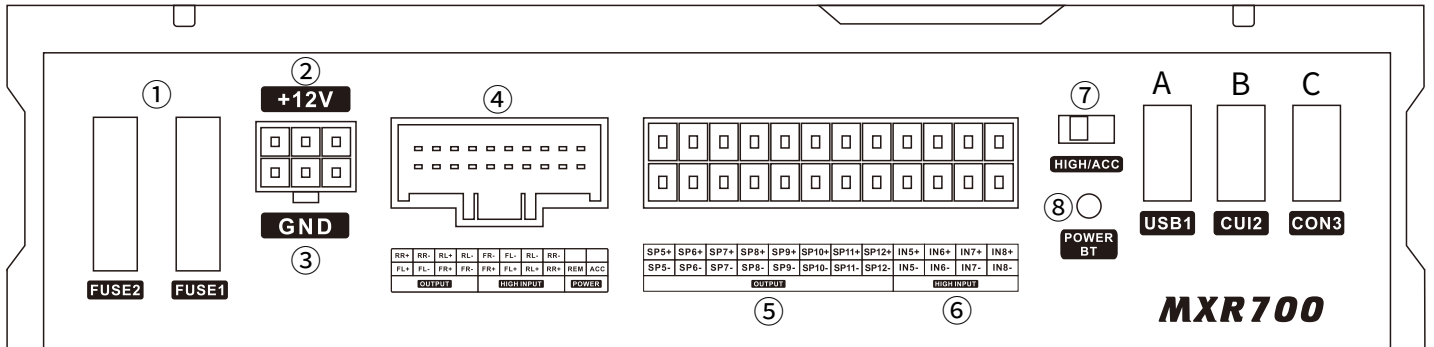
Size Specifications:	202mmX173mmX50mm	Built in Bluetooth:	5.0 Music Bluetooth
RCA input voltage:	9V	Audio input signal sampling rate:	96KHz
RCA output voltage:	4V	Frequency range:	20Hz-22KHz
EQ configuration:	Section 31	Total harmonic distortion+noise:	THD+N<0.01%
USB playback:	Support WAV/FLAC/APE/WMA/Mp3	Software configuration:	Mobile terminal/PC terminal

Audio input signal support: Digital optical fiber signal x1; Coaxial signal x1

High level input impedance: Automatic induction for dynamic detection

# Connect your MXR700

## MXR700を接続する



- ① 20A fuse \* 2;
  - ② +12V positive input;
  - ③ GND negative input;
  - ④ Special plug (input and output socket);
  - ⑤ Power signal output;
  - ⑥ High level input;
  - ⑦ High/ACC startup switch switching;
  - ⑧ Music Bluetooth connection signal lamp;
- A. USB1 music file mobile device input port;  
 B. CUI2 control panel input port (e.g. NVA200C accessory);  
 C. CON3 remote control input port (e.g. NVA40BT accessory);

### OUTPUT

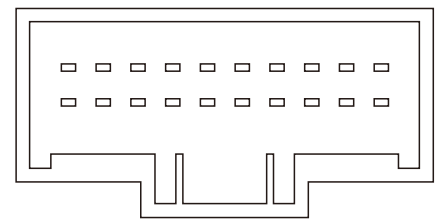
- (1) RR+ Rear right+ signal output; (3) RR- Rear right- signal output;
- (2) FL+ Front left+ signal output; (4) FL- Front left- signal output;
- (5) RL+ Rear left+ signal output; (6) RL- Rear left- signal output;
- (7) FR+ Front right+ signal output; (8) FR- Front right- signal output;

### HIGH INPUT

- (9) FR- Front right- Signal input; (10) FL- Front left- Signal input;
- (11) FR+ Front right+ Signal input; (12) FR+ Front right+ Signal input;
- (13) RL- Rear left- Signal input; (14) RR- Rear right- Signal input;
- (15) RL+ Rear left+ signal input; (16) RR+ Rear right + signal input;

### POWER

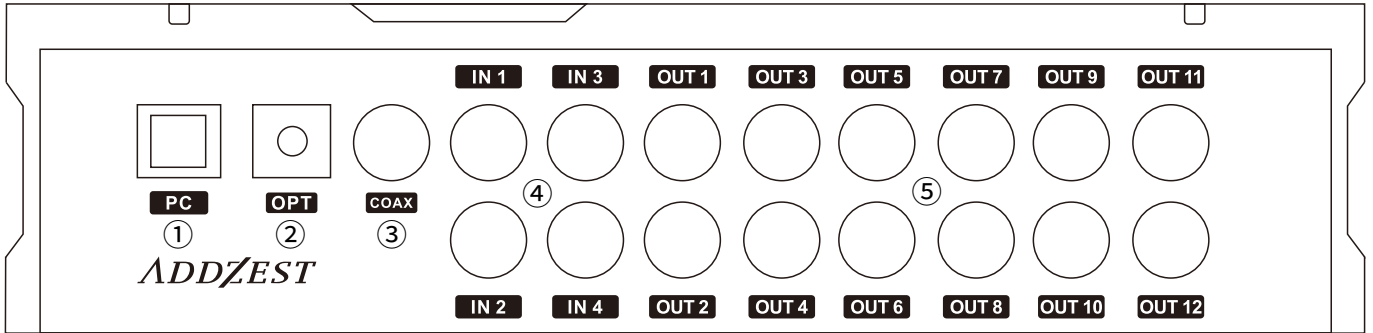
- (17) REM Control start line input; (18) ACC Start signal input.



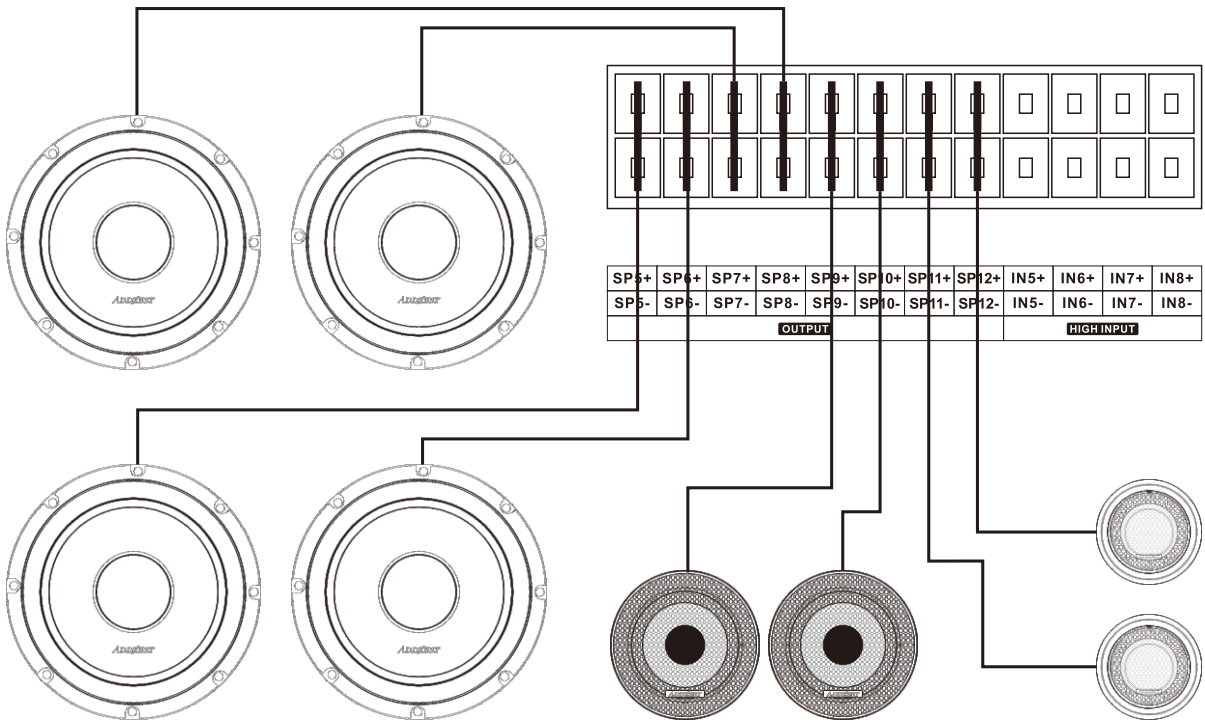
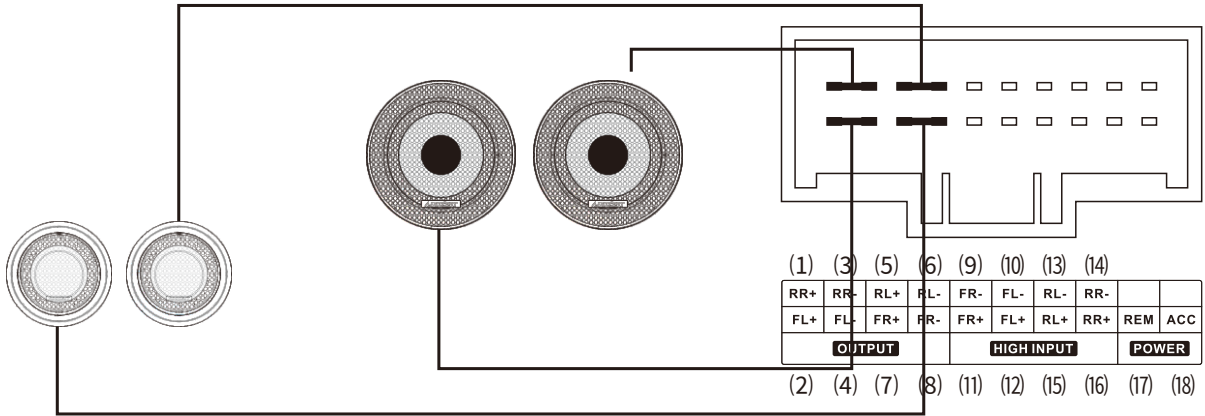
(1)	(3)	(5)	(6)	(9)	(10)	(13)	(14)		
RR+	RR-	RL+	RL-	FR-	FL-	RL-	RR-		
FL+	FL-	FR+	FR-	FR+	FL+	RL+	RR+	REM	ACC
OUTPUT				HIGH INPUT				POWER	
(2)	(4)	(7)	(8)	(11)	(12)	(15)	(16)	(17)	(18)

# Connect your MXR700

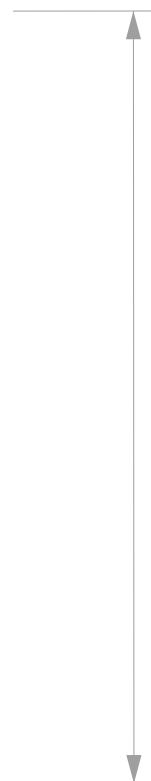
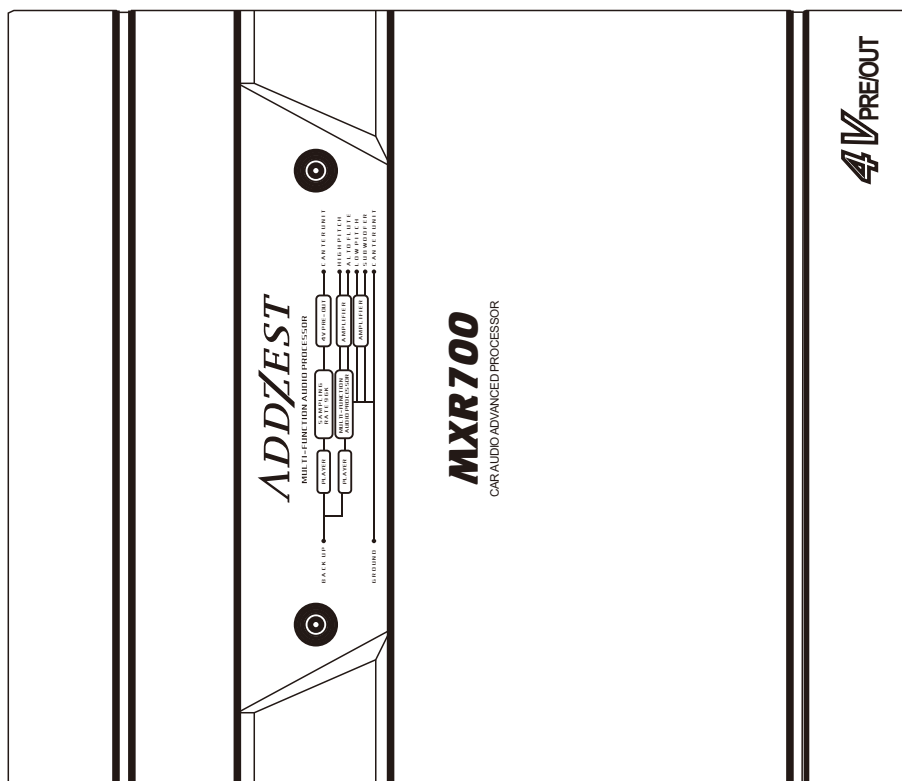
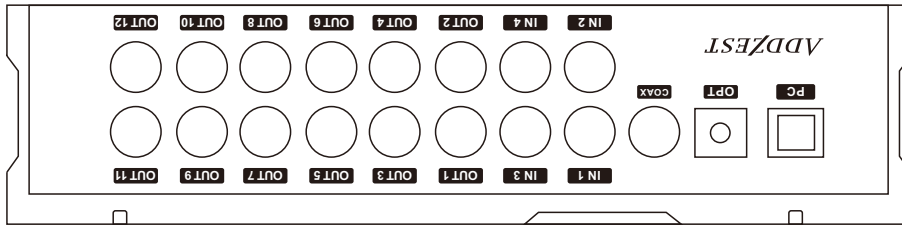
## MXR700を接続する



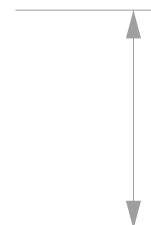
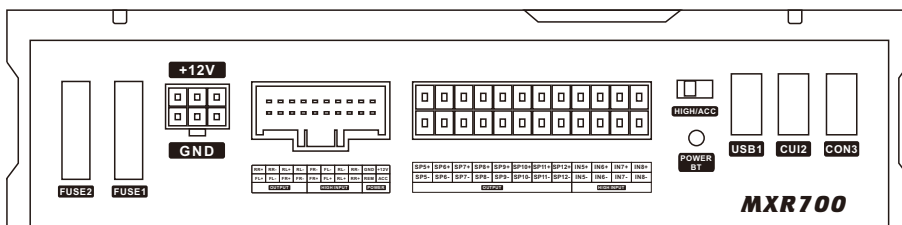
- ① Pc data line connection;
- ② Optical fiber input port;
- ③ Coaxial signal input;
- ④ IN1-IN4 RCA signal input;
- ⑤ OUT1-OUT12 RCA signal output;



Thank you for choosing ADDZEST for your mobile audio products. Your satisfaction is very important to us.  
 If you have any questions or comments, you are welcome to call, and the representative of ADDZEST is very happy to help you.  
 あなたの車のモバイルオーディオ製品にADDZESTを選んでくれてありがとう、あなたの満足は私たちにとって非常に重要です。  
 ご不明な点やご意見がございましたら、ADDZESTの担当者が喜んでお手伝いいたします。



202mm



50mm



173mm

Thank you for choosing ADDZEST for your mobile audio products. Your satisfaction is very important to us.  
If you have any questions or comments, you are welcome to call, and the representative of ADDZEST is very happy to help you.

---

# ADDZEST WARNING

## ADDZEST に警告

The year from the original purchase date. This warranty is not transferable and only applies to the original retail purchaser ADDZEST authorized retail Products of the Company. After the inspection by ADDZEST, if the service is required to be provided within the scope of this warranty for any reason due to manufacturing defects, ADDZEST will repair or replace defective products at its sole discretion.

This warranty does not cover installation or damage caused by accidents, misuse, abuse, improper wiring, operation suggestions or specifications outside the manufacturer, or objection to the instructions in the user manual. When adding any opened, tampered or modified product, or any number whose serial number has been deleted, the warranty will not be included in any part of the manufacturing.

All warranty returns should be sent to ADDZEST freight prepaid and must be accompanied by proof of purchase (copy of original sales receipt). Unless otherwise specified, direct returns from consumers or unauthorized retailers will be refused. ADDZEST will be authorized with a valid return authorization number.

All warranty returns shall be in the original packaging and must be accompanied by the original copy of the sales receipt. Products damaged during transportation will not be covered by this warranty. Customers or retailers can choose to repair the damage at the normal "out of warranty" repair cost.

Under no circumstances shall ADDZEST be liable for incidental, indirect or other damages caused by the use of this product, including but not limited to hearing, property or personal damage, using the product for inconvenience or loss damage, and causing personal injury to the extent permitted by law.

This warranty gives you specific legal rights, and you may also have other rights, which vary from country to country.

This warranty is applicable to products sold and used in China. Please contact your dealer in all other countries/regions.

当初の購入日から数年間、この保証は譲渡できず、当初の小売購入者にのみ適用されます。製造上の欠陥により何らかの理由でこの保証の下でサービスが必要な場合、ADDZEST認定小売製品はADDZESTによって検査されています。欠陥のある製品は、当社の独自の裁量により修理または交換されます。この保証は、事故、誤用、乱用、不適切な配線、メーカー外での操作に関する推奨事項または仕様、またはユーザーの異議申し立てによって生じた設置または損傷には適用されません。または変更された製品、または番号が削除されたシリアル番号は、製造保証のどの部分にも含まれません。すべての保証返品は、前払いのADDZEST貨物に送付し、購入証明書(元の販売受領書のコピー)を添付する必要があります。特に明記されていない限り、消費者または許可されていない小売業者からの直接返品は、有効な返品許可番号で許可されたADDZESTを拒否されます。すべての保証返品は元のパッケージにパッケージ化する必要があります。元の領収書のコピーを添付する必要があります。輸送中に損傷した製品はこの保証の対象外であり、顧客または小売業者は、通常の「保証対象外」の修理費用でこの損傷を修理することを選択できます。または、聴覚、財産、または個人を含むがこれらに限定されない製品のその他の損傷損傷、製品の不便または使用の喪失に基づく損傷、および法律で許可されている範囲で、人身傷害につながる損傷。この保証はあなたに特定の法的権利を与えます、そしてあなたは国ごとに異なる他の権利を持っているかもしれません。この保証は中国、他のすべての国で販売され使用される製品に適用されます、あなたのディーラーに連絡してください。